





DRAUGHT CHANNEL & EDGE TRIM

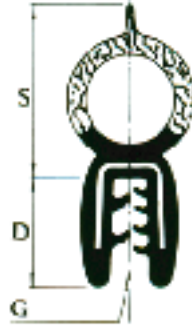
EXTRUDED SEALS

Pinchweld - EPDM Rubber & Sponge

DOOR SEALS


	<p>AJ 6272/001</p> <p>"Side tube seal" 25m (27.5yd) coil Material = PVC/EPDM Carrier depth (D) = 10mm 0.39" Seal dim. (S) = 14mm 0.55" Grip range (G) = 2 - 3mm 0.08 - 0.12"</p>		<p>AJ 6279/001</p> <p>"Side tube seal" 50m (55yd) coil Material = EPDM Carrier depth (D) = 12mm 0.47" Seal dim. (S) = 20mm 0.79" Grip range (G) = 1.5 - 2.5mm 0.06 - 0.10"</p>
---	---	--	---

BOOT SEALS

	<p>AJ 4974/003</p> <p>"Top tube seal" 50m (55yd) coil Material = EPDM Carrier depth (D) = 12mm 0.47" Seal dim. (S) = 18mm 0.71" Grip range (G) = 1.5 - 2.5mm 0.06 - 0.10"</p>
---	--

EDGE TRIM

BLACK

	<p>AJ 4896/002</p> <p>Black PVC edge trim (D) = 12mm (0.47") (G) = 0.7 - 2.5mm (0.03 - 0.1")</p>
---	---

Please note: The measurements given are an approximation only for your assistance. There are NO refunds for product cut to length so please choose carefully.