



R.A. JOHNSTONE

& COMPANY LIMITED

5 Ryan Place Manukau City Auckland









Telephone 09-261 0333 Facsimile 09-261 0330

www.crashsupplies.co.nz






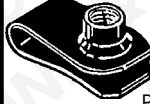


FASTENERS

CHART E

BOLTS

 Guard Bolt 8005 5mm x 20mm Captive Washer 8mm Hex Head	 Guard Bolt 8009 6mm x 20mm Captive Washer + Spring Washer 10mm Hex Head	 BLACK Guard Bolt 8010BK 6mm x 25mm Captive Washer 10mm Hex Head	 Guard Bolt 8025 8mm x 25mm Captive Washer + Spring Washer 12mm Hex Head
 Guard Bolt 8030 10mm x 30mm Captive Washer + Spring Washer 14mm Hex Head	 Number Plate Bolts M5 x 20mm NPB520 M6 x 10mm NPB610 M6 x 16mm NPB616 M6 x 20mm NPB620 M6 x 30mm NPB630	 Gutter Bolts Metric & Imperial Various Sizes Available nuts included	 High Tensile Set Screws Available in various Lengths UNC: 1/4", 3/8", 5/16" UNF: 1/4", 3/8", 5/16" Metric: 5; 6; 8; 10 Nuts not included

NUTS





 11625 Metal #M4 x .7 Screw Size Panel Range up to 4mm Hole centre 13.5mm to edge	 11626 Metal #M5 x .8 Screw Size Panel Range up to 4mm Hole centre 15.8mm to edge	 P241-606 Metal #M6 x 1.0 Screw Size Panel Range up to 4mm Hole centre 13.5mm to edge	 P241-607 Metal #M6 x 1.0 Screw Size Panel Range up to 4mm Hole centre 19.5mm to edge
 P241-609 Metal #M8 x 1.25 Screw Size Panel Range up to 4mm Hole centre 14.5mm to edge	 P241-608 Metal #M8 x 1.25 Screw Size Panel Range up to 4.5mm Hole centre 20mm to edge	 FLANGE HEAD NUTS 62F5 5mm Fits 8005 Guard Bolt 62F6 6mm Fits 8009 Guard Bolt 62F8 8mm Fits 8025 Guard Bolt 62F10 10mm	 HEX NUTS NYLOC NUTS NM10F - Fits 8030 Guard Bolt

 PRESSED NUTS	 TEE NUTS	 RIVNUTS	 RIVNUT SETTING GUN	 HEX & SQUARE	 Large Flange	 Thin Sheet	
---	--	---	--	--	--	--	--

RIVETS

 Peel Rivet-Metal Ford 1/4" Diameter CODE: 11852	 Truss Head	 Large Head	<p>A large selection of various types and sizes of rivets is available</p> <p>3/32", 1/8", 5/32", 3/16", 1/4"</p>
---	---	---	---

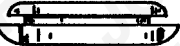

ZINC BUMPER BOLTS

 16475 7/16"-14X1-1/4" Stainless Steel Cap W/O Nuts Head Diameter: 29/32" Shoulder Length: 1/4"	 16985 5/16"-18X1" Stainless Steel Cap W/O Nuts Head Diameter: 3/4" Shoulder Length: 3/16"	 16986 M8-1.25 x 25mm Stainless Steel Capped Pan Head W/O Nuts Head Diameter: 19mm Shoulder Length: 3mm	 9354 7/16"-14X1-3/8" Stainless Steel Capped Pan Head W/O Nuts Head Diameter: 29/32" Shoulder Length: 5/32"
---	--	---	---

WASHERS





 FLAT Various sizes Imperial & Metric	 FENDER Various sizes Imperial & Metric	 SPRING Various sizes Imperial & Metric	 CUP Sizes Available: No. 4; No. 6; No. 8;	 FLUSH Sizes Available: No. 6; No. 8;
---	--	--	--	--

RUBBER GROMMETS & BODY PLUGS

	
ALL GAUGE 1.6mm	
IMB301 hole 7.9mm	IMG021 I.D. Panel 4.8 7.9
IMB302 hole 9.5mm	IMG030 I.D. Panel 6.4 11.1
IMB303 hole 12.7mm	IMG050 I.D. Panel 6.4 14.2
IMB304 hole 15.9mm	IMG190 I.D. Panel 6.4 28.5
IMB305 hole 19.1mm	IMG205 I.D. Panel 7.9 12.7
IMB306 hole 22.2mm	IMG040 I.D. Panel 9.5 12.7
IMB307 hole 25.4mm	IMG060 I.D. Panel 9.5 19.0
IMB308 hole 28.6mm	IMG110 I.D. Panel 11.1 17.4
IMB309 hole 32.0mm	IMG080 I.D. Panel 12.7 19.0
IMB310 hole 38.0mm	IMG090 I.D. Panel 15.8 25.4

ANTI-RATTLE BUTTONS

H=hole size; G=gauge of panel
D=hole outer diameter T=head height (all mm)

 SEMIPONTED IMA138 H 6.4, G1.6, D17.5, T 19.0	 FLAT HEAD
 POINTED HEAD IMA139 H 6.4, G1.6, D19.0, T 20.6	IMA131 H 6.4, G1.6, D14.3, T 11.1
 DOME HEAD IMA135 H 6.4, G3.2, D17.5, T 14.3	IMA132 H 6.4, G1.6, D14.3, T 7.9
IMA137 H 3.2, G1.6, D11.1, T 9.5	IMA133 H 6.4, G1.6, D19.0, T 7.9
IMA140 H 6.4, G1.6, D15.8, T 20.6	IMA134 H 6.4, G1.6, D19.0, T 4.8
	IMA136 H 12.7, G1.6, D19.0, T 7.9

ORDER PHONE 09 261 0333 or FREEFAX 0800-109 888

NO PART OF THIS DOCUMENT MAY BE REPRODUCED, TRANSMITTED, TRANSCRIBED, STORED IN ANY LANGUAGE, IN ANY FORM BY ANY MEANS, WITHOUT THE PERMISSION OF RA JOHNSTONE & CO LTD. COPYRIGHT© 2003. WE RESERVE THE RIGHT TO WITHDRAW ANY PRODUCT FOR SALE.